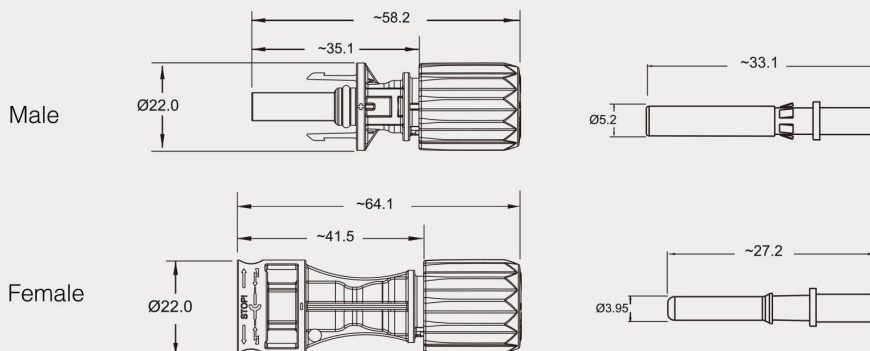


MC4 connector 1500V

ADVANTAGE

- TÜV certified to IEC 62852
- Accomodate PV cables with vary diameters
- High current carrying capacity
- Efficient snap in locking system for easy and safe install
- Reliable in harsh conditions
- IP67 water proof and dust proof
- LOW transition resistance

1.Construction



Packing

- (a) 200m./300m/commission
- (b) Consulting if delivering in other ways

2.Technical data

Rated voltage	1500V DC	Operating Temp. Range	-40°C to 90°C
Rated current (per IEC 62852, 85°C)	17A (1.5mm ²) 22.5A (2.5mm ²) 30A (4.0mm ² , 6.0mm ²)	Overtoltage category /Pollution degree	CAT 1/2
Test voltage	6kV(50Hz, 1min.)	Protection Degree	IP67
Contact maerial	Tin-plated Copper Alloy	Flame class	UL -94-V0
Contact resistance	≤0.3mΩ	Type of termination	Crimping
Insulation material	PPO	Contact system	L athed
Locking system	Snap-in	Cable OD range	Ø5.3mm - 7.65mm

Shanghai Kuka
Intelligent Technology Co., Ltd

📍 No. 13-14, 5878 Nanting Road, Tinglin
Town, Jinshan District, Shanghai

☎ 021-37110083

✉ sales@coocable.com

🌐 www.coocable.com

MC4 CONNECTOR 1V 500V

COOCABLE